

285 Series Circuit Breakers

Provides circuit protection for 25 to 150 Amp loads when switching and circuit protection are both required

- Visible yellow reset lever shows open condition
- Trip-free design cannot be held closed after trip
- Drop in replacement for 185 Series Circuit Breakers
- 3,000A AIC for medium battery banks

Specifications

Interrupting Capacity	3,000A @ 48V DC†
Voltage Max. Operating	48V DC
Temperature Min. Operating	-40°C
Temperature Max. Operating	85°C
Type	Thermal
Class	Type III – Switchable/Manual Reset – Trip Free
Terminal Stud Terminal Stud	M6 (accepts 1/4" Ring Terminal)
Torque Mounting Hole	50 in-lb (7.9 Nm)
	Accepts 1/4" screw (M6)

Regulatory

CE marked
 Meets SAE J1171 external ignition protection requirements,
 †AIC ratings achieved using SAE J1625
 IP67 – protected against immersion up to
 1 meter for 30 minutes

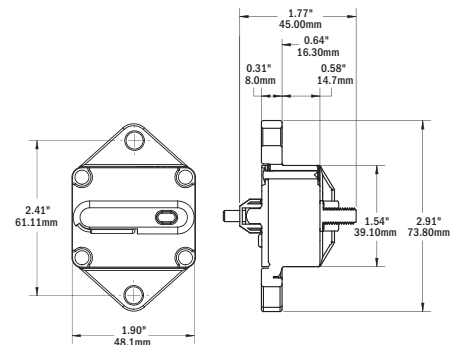
**IGNITION
 PROTECTED**

Panel Mount PN	Surface Mount PN	Amps
7080	7180	25A DC
7081	7181	30A DC
7082	7182	40A DC
7083	7183	50A DC
7084	7184	60A DC
7085	7185	70A DC
7086	7186	80A DC
7087	7187	100A DC
7088	7188	120A DC
7089	7189	150A DC

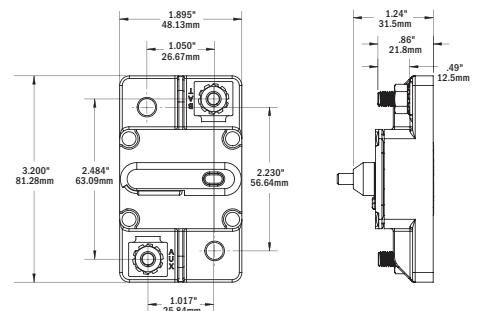
Main circuit protection for battery banks up to



7087



7187



Klixon Circuit Breakers

Provides circuit protection for 25 to 150 Amp loads when switching and circuit protection are both required

- Visible red reset lever shows open condition
- Trip-free design cannot be held closed after trip
- Drop in replacement for 185 or 285 Series Circuit Breakers
- 5,000A AIC for large battery banks

Specifications

Interrupting Capacity	5,000A @ 12V DC
Nominal Voltage Voltage	12V DC
Max. Operating Temperature	24V DC
Min. Operating Temperature	-40°C (-40°F)
Max. Operating Type	82°C (185°F)
Class	Thermal
Terminal Stud Max. Terminal Stud Torque	Type III – Switchable/Manual Reset-Trip Free
Mounting Hole	1/4" -28
Max. Mounting Screw Torque	60 in-lb (7.9 Nm)
	Accepts 1/4" screw (M6)
	50 in-lb (5.6 Nm)

Regulatory

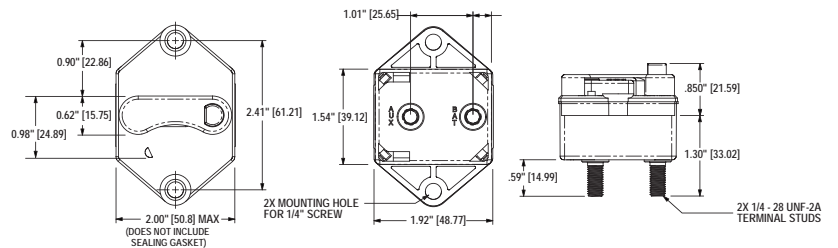
CE marked
Meets SAE J1171 external ignition protection requirements
IP67 – protected against immersion up to 1 meter for 30 minutes (see inside back cover)

IGNITION PROTECTED

Main circuit protection for battery banks up to



7078



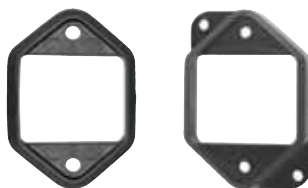
Panel Mount PN	Surface Mount PN	Amps
7070	7170	25A DC
7071	7171	30A DC
7072	7172	40A DC
7073	7173	50A DC
7074	7174	60A DC
7075	7175	70A DC
7076	7176	80A DC
7077	7177	100A DC
7078	--	120A DC
7079	7179	150A DC



7173

Klixon and 285 Series Mounting Options

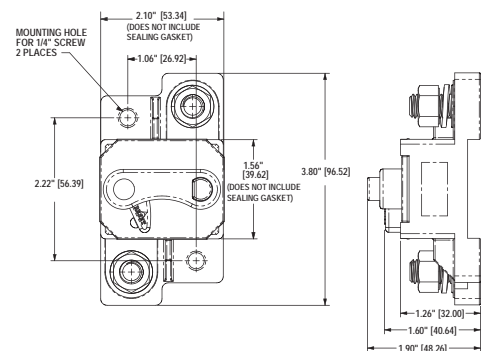
Provides mounting for Cooper Bussmann Klixon, 285 Series or 185 Series Panel Mount Circuit Breakers



7198

7098

PN	Description	Width in (mm)	Height in (mm)
7198	Self-trimming molded rubber bezel	2.44 (61.90)	3.31 (84.07)
7098	Circuit breaker adapter bezel allows circuit breaker mounting in a 2-1/8" round hole	2.44 (61.90)	3.31 (84.07)



187 Series Circuit Breakers

Provides circuit protection for 25 to 200 Amp loads when switching and circuit protection are both required

- Self-trimming case eliminates need for mounting panels or trim bezels
- Visible yellow reset lever shows open condition
- Trip-free design cannot be held closed after trip
- Large clearance around terminal studs accepts up to 1/0 AWG lugs
- Recessed mounting holes for clean appearance
- Robust 5/16"-18 terminals provide high torque connections
- 5,000A AIC for large battery banks

Main circuit protection for battery banks up to



7044

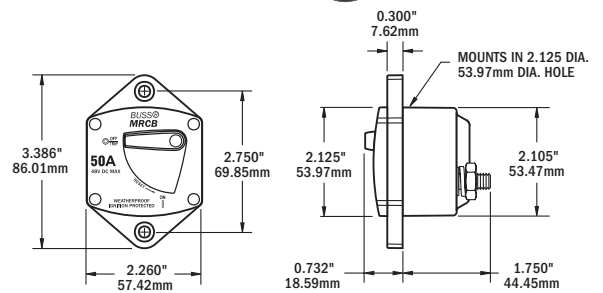
Specifications

Interrupting Capacity	5,000A @ 12V DC 3,000A @ 24V DC 1,500A @ 42V DC
Voltage Max. Operating	48V DC
Temperature Min. Operating	-40°C
Temperature Max. Operating	85°C
Type	Thermal
Class	Type III – Switchable/Manual Reset – Trip Free
Terminal Stud	5/16"-18
Terminal Stud Torque	75 in-lb max.
Mounting Hole	Accepts #10 (M5) Screw

Regulatory

CE marked
Meets SAE J1171 external ignition protection requirements
IP66 – protected against powerful water jets (see inside back cover)

**IGNITION
PROTECTED**

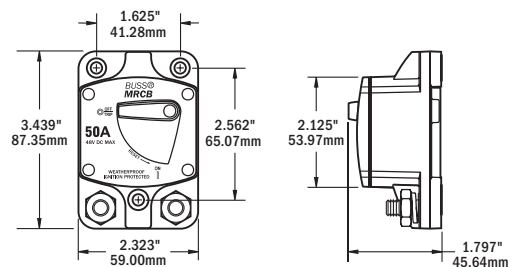


Panel Mount Dimensions

Panel Mount PN	Surface Mount PN	Amps
7035	7135	25A DC
7036	7136	30A DC
7038	7138	40A DC
7039	7139	50A DC
7040	7140	60A DC
7041	7141	70A DC
7042	7142	80A DC
7043	7143	90A DC
7044	7144	100A DC
7046	7146	120A DC
7048	7148	150A DC
7049	7149	200A DC



7140



Surface Mount Dimensions