

# PowerGuard Lite - Flat Battery Protection



PowerGuard Lite provides basic flat battery protection. After voltage has reached a preset value for a preset time, the unit will disconnect batteries to prevent damage through excessive discharge and retain enough power to ensure engine re-starting. After activation, batteries are reconnected using a dash-mounted press switch.

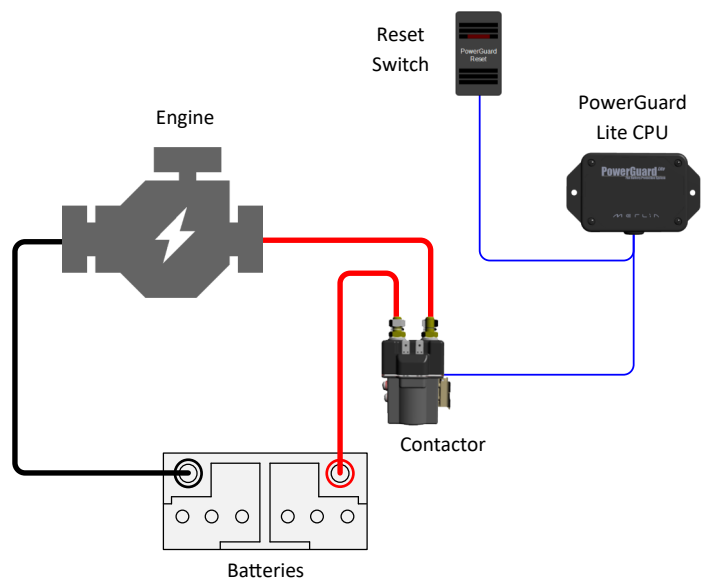
- Isolates batteries before they go flat to ensure engine start and prevent damage
- Prevents expensive breakdowns and premature battery failure
- Installer adjustable voltage & time threshold
- Dash mounted reset switch with built in warning LED
- Sealed IP66 Ignition Protected Contactor
- Extremely low power consumption (to maximise the residual power in the battery after disconnection)
- Ignition inhibit to prevent activation with engine running.



## Installation Example:

PowerGuard Lite is designed for a single battery bank. It is best suited to protecting an engine start battery. The contactor is IP66 rated and designed for installation adjacent to the battery. The CPU and dashboard switch should be mounted within the interior.

Set-Up is performed using trim-pots inside the CPU.



# PowerGuard Lite - Flat Battery Protection

## Specifications:

MODEL	12 VOLT	24 VOLT
RETAIL PART #	19-4015	19-4016
NOMINAL VOLTAGE	12VDC	24VDC
MAXIMUM CURRENT (CRANKING)	600A	600A
MAXIMUM CURRENT (5 MINS)	200A	200A
MAXIMUM CURRENT (CONTINUOUS)	125A	125A
POWER CONSUMPTION	<5mA	<3mA
CPU WEIGHT EX CABLES (GRAMMES)	103.5	103.5
CPU WEIGHT EX CABLES (POUNDS)	0.23	0.23
CONTACTOR DIMENSIONS (LxWxH) MM	91 x 50 x 39	
CONTACTOR DIMENSIONS (LxWxH) INCHES	3.59 x 1.97 x 1.54	
CONTACTOR WEIGHT (GRAMMES)	350	350
CONTACTOR WEIGHT (POUNDS)	0.77	0.77
RESET SWITCH CUTOUT DIMENSIONS (HxW) MM	37 x 22	
RESET SWITCH CUTOUT DIMENSIONS (HxW) INCHES	1.45 x 0.83	
COMPLIANCE	EMC2002/95/EC, CE MARK	
	ISO7637-2, SAE J1171	

PowerGuard Lite is also available in OEM versions and component parts for building into control boxes and panels or for serial production line environments.