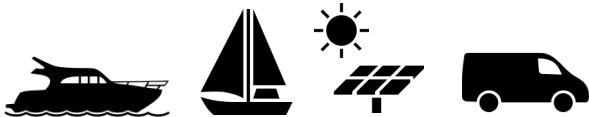


Voltage Sensitive Relays



The M-Power Voltage Sensitive Relay (VSR) is the lowest cost method of providing zero loss split charging in light duty and leisure applications.

Quickly and easily fitted, VSR's are compatible with smaller (non smart-regenerative) alternators, mains chargers and solar systems.

- Bi-Directional, Zero-Loss Split Charging
- Fully Automatic Operation
- 'Connected' LED Indicator
- Sealed for damp environments
- Ignition Protected

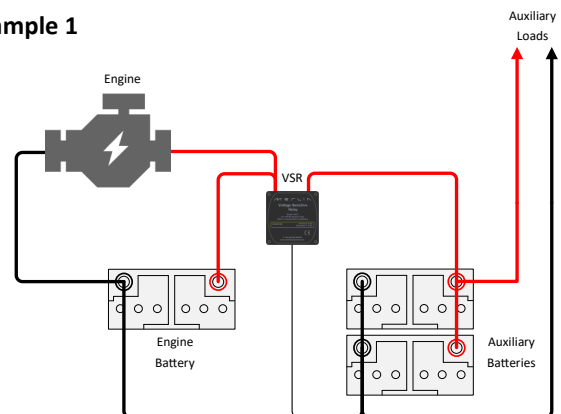
Installation Examples:

Example 1: Typical 2 battery installation. VSR allows charging from sources connected to either Engine or Aux Battery and keeps them separate during discharge.

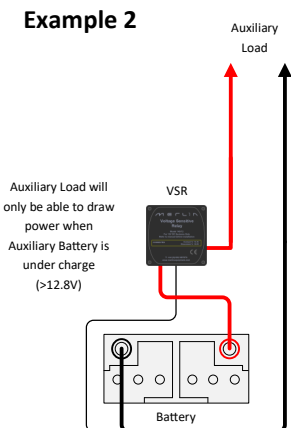
Example 2: VSR used as a switch for loads that should only be used while the battery is charging.

Example 3: Multiple VSRs can be used to add more and more batteries.

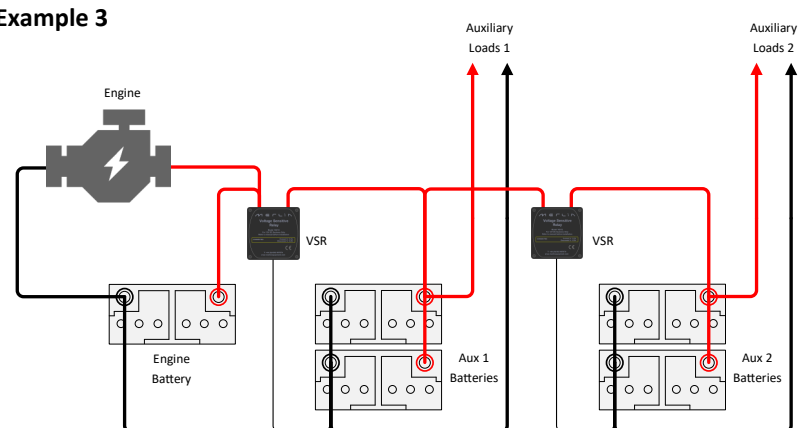
Example 1



Example 2



Example 3



Voltage Sensitive Relays

Specifications:

MODEL	12 VOLT	24 VOLT
RETAIL PART #	04-4101	04-4111
OEM PART #	19-4102	19-4112
NOMINAL VOLTAGE	12VDC	24VDC
MAXIMUM CURRENT (SURGE)	140A	100A
MAX ALTERNATOR SIZE	70A	50A
CONTINUOUS CURRENT	40A	30A
CONNECT VOLTAGE	13.3V	26.6V
DISCONNECT VOLTAGE	12.8V	25.6V
DIMENSIONS (LxWxH) MM	67.5 x 67.5 x 53.3	
DIMENSIONS (LxWxH) INCHES	2.66 x 2.66 x 2.11	
WEIGHT (GRAMMES)	192	192
WEIGHT (POUNDS)	0.42	0.42
STANDARDS	CE, UL1107	

Retail versions are shipped in retail packaging with manual and four colour packaging. OEM version is available in bulk quantities only in a white box.