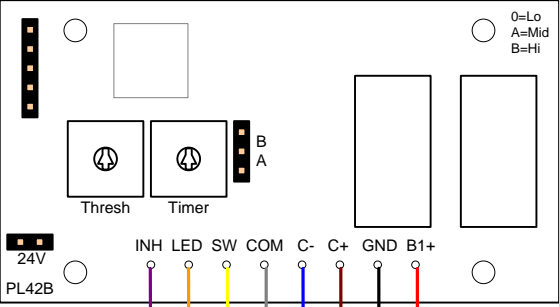


PCB Connections	
INH	- Ignition Inhibit
LED	- LED Output
SW	- Switch Input
COM	- LED/Switch Common GND
C-	- Contactor Negative
C+	- Contactor Positive
GND	- Ground
B1+	- Battery 1 Positive

Programming Socket  
(Merlin Use Only)

Link for 24V



Violet	- Ignition Inhibit
Orange	- LED Output
Yellow	- Switch Input
Grey	- LED/Switch Common
Blue	- Contactor Negative
Brown	- Contactor Positive
Black	- Ground
Red	- Battery 1 Positive

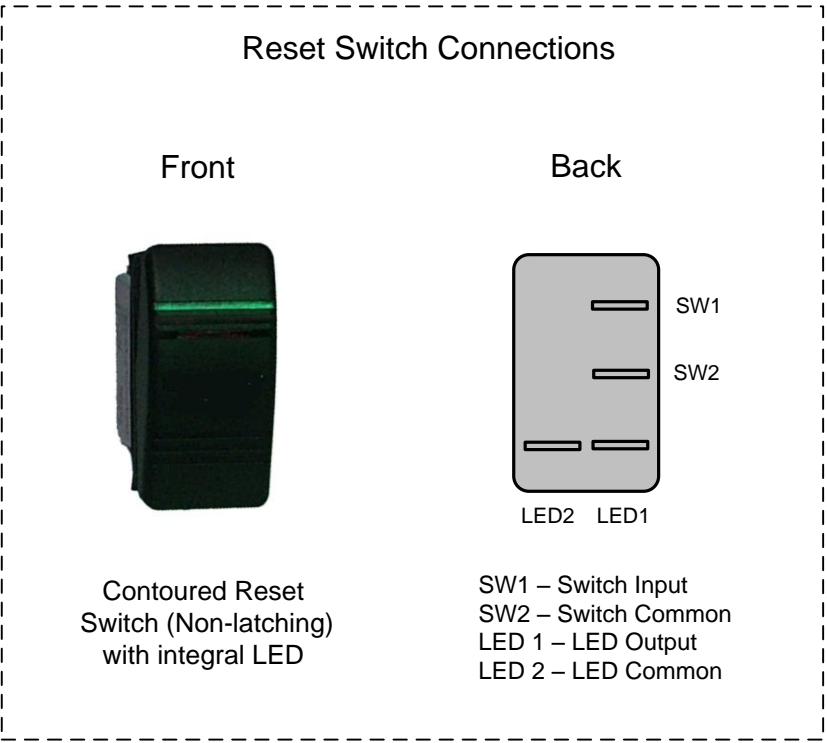
**Voltage Threshold Setting:**

- No jumper fitted - Preset adjusts between 10.0 and 11.0 volts.
- Jumper in position A - Preset adjusts between 11.0 and 12.0 volts.
- Jumper in position B - Preset adjusts between 12.0 and 13.0 volts.

Timer – Preset adjusts between 0 to 240 Seconds

*Workshop Use Only:*

1. Jumpers Located on 1 Pin Only
2. Standard Settings – Both Potentiometers set to 12 O’Clock



TITLE	PowerGuard Lite PL42 PCB	DRAWN	MH	DIMENSIONS IN millimetres	ISSUE	DATE	AUTH	MODIFICATION DESCRIPTION
		DATE	6 <sup>th</sup> May 2013	SCALE				
CLIENT	Merlin	CHECKED		NOTES				

**Merlin Equipment Ltd,**  
 Unit 4, Cabot Business Village, Holyrood Close, Cabot Lane, Poole, Dorset BH17 7BX  
 Tel: 01202 - 697979 Fax: 01202 - 691919  
 www.merlinequipment.com

© 2010 Merlin Equipment Limited. This drawing remains the sole right and property of Merlin Equipment Limited. You may not make unauthorised copies or pass this information to third parties without the express written permission of Merlin Equipment Limited.

**MERLIN**  
The Power People

**DRAWING No.**  
628