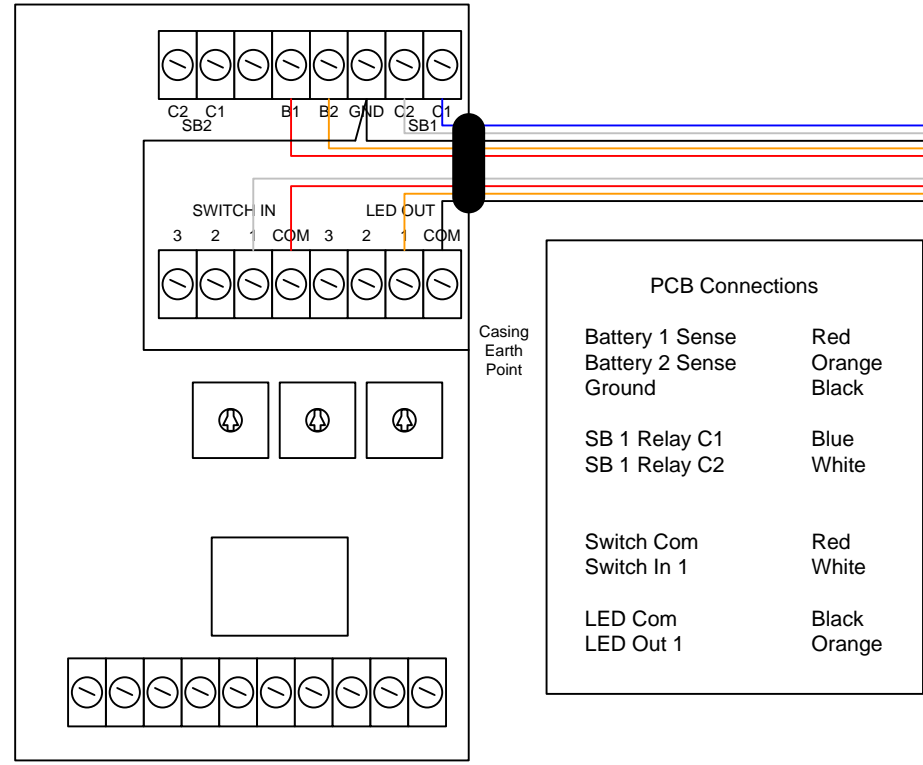


Cut Cables 1500mm
Sleeving Length 1000mm

Battery Sense Loom	
Red	Battery 1 Positive
Black	Ground
Blue	SB1 Connection 1
White	SB1 Connection 2
Orange	Battery 2 Positive

Heat Shrink:
30mm (over cable)
50mm (over sleeving)

Input / Output Loom	
Red	Switch Common Positive
White	Switch Input 1
Black	LED Common Negative
Orange	LED Output 1
<i>Workshop Use Only:</i>	
<i>Knick These Wires</i>	



PCB Connections	
Battery 1 Sense	Red
Battery 2 Sense	Orange
Ground	Black
SB 1 Relay C1	Blue
SB 1 Relay C2	White
Switch Com	Red
Switch In 1	White
LED Com	Black
LED Out 1	Orange

- Assembly Instructions**
1. Assemble extrusion to include feet and end caps (Silver Extrusion)
 2. Program PCB firmware
 3. Cut cables to length & strip one end
 4. Wire cables to PCB as detailed
 5. Split cables into 2 looms
 6. Add 1 x heat shrink at PCB end, as close to board as possible.
 7. Fit PCB to extrusion (Bottom Row), fit end plate including grommet. Tie Wrap Cable
 8. Add sleeving, heat shrink box end to loom
 9. Test unit

Program File:
SRCS Settings

TITLE	DRAWN	DIMENSIONS IN	ISSUE	DATE	AUTH	MODIFICATION DESCRIPTION
	OEM SmartBank PRO Wiring Colours & Connections		MH	01	04/16	
	DATE	SCALE				
	04/04/2016					
CLIENT	CHECKED	NOTES				
Merlin Equipment						

Merlin Equipment Ltd,
Unit 4, Cabot Business
Village, Holyrood Close,
Cabot Lane, Poole, Dorset
BH17 7BX

Tel: 01202 - 697979 Fax: 01202 - 691919
www.merlinequipment.com

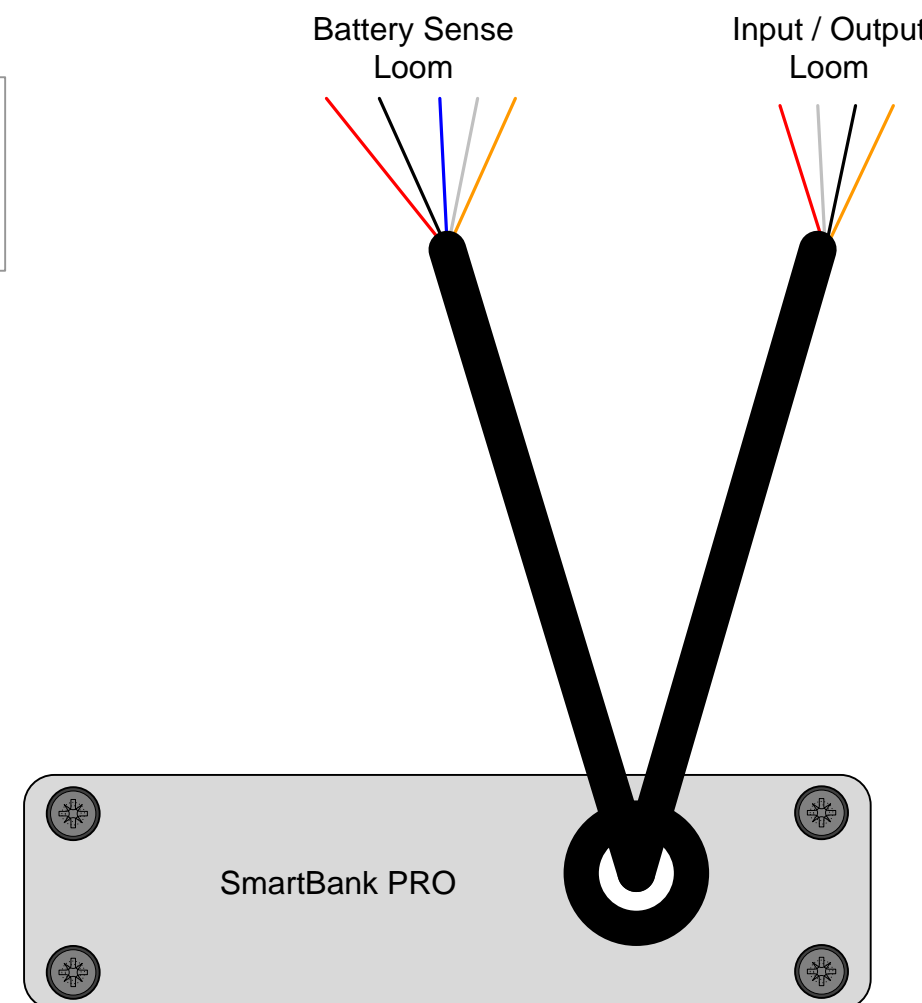
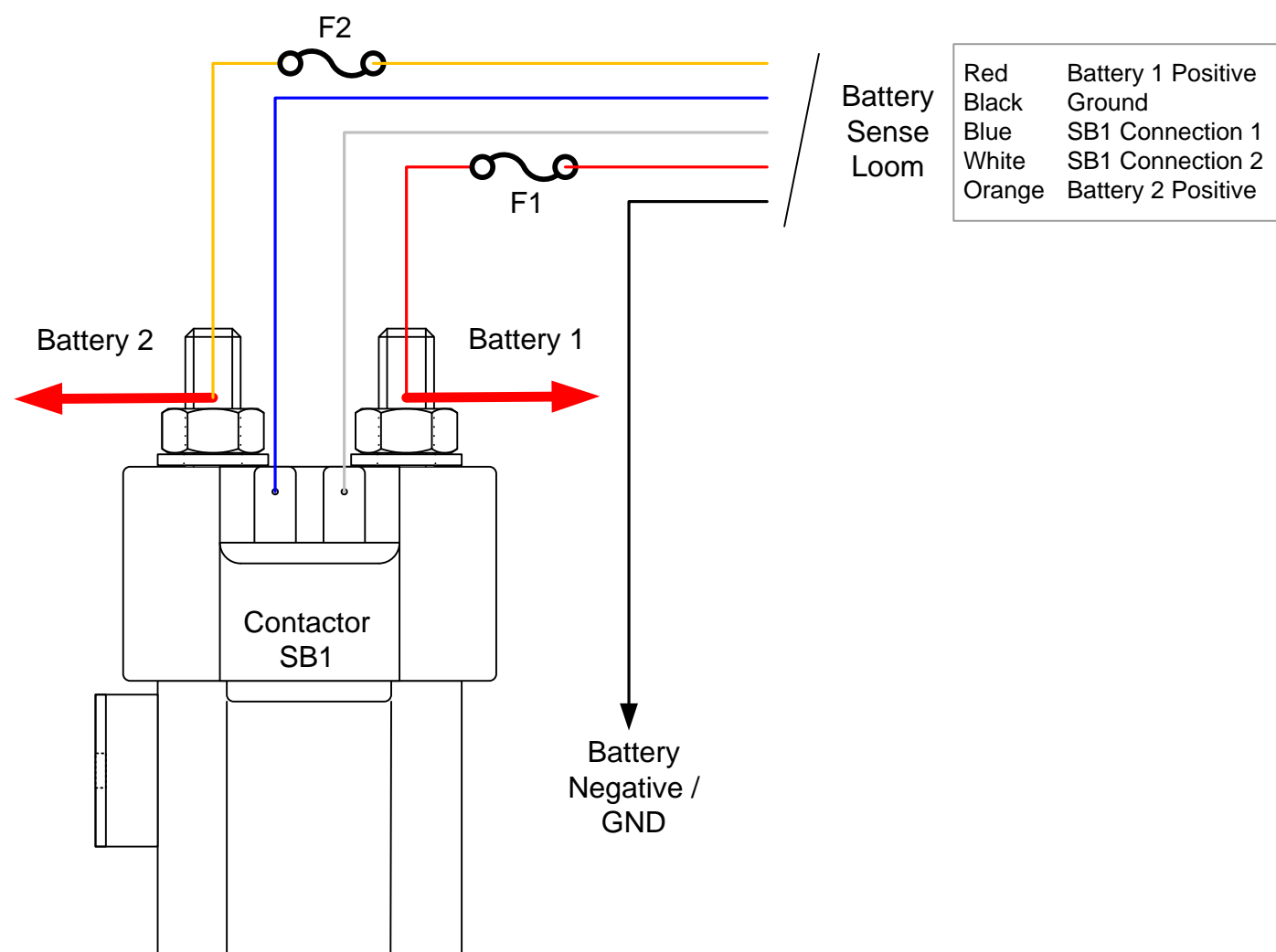
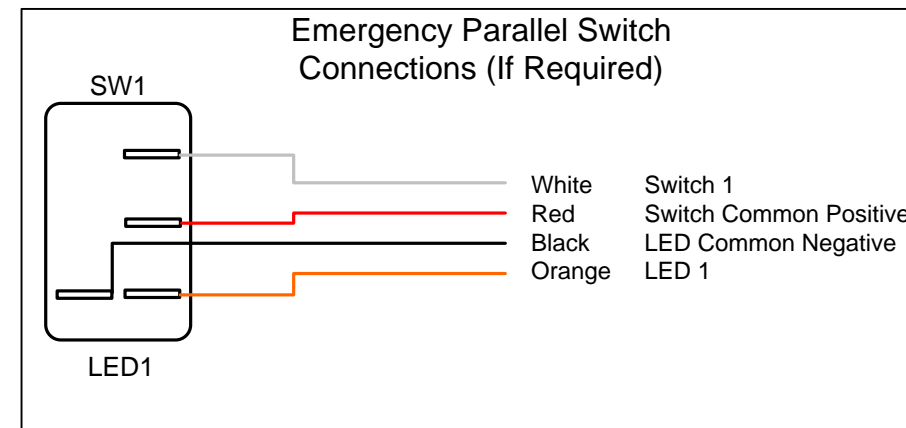
© 2011 Merlin Equipment Limited. This drawing remains the sole right and property of Merlin Equipment Limited. You may not make unauthorised copies or pass this information to third parties without the express written permission of Merlin Equipment Limited.

Merlin
The Power People

DRAWING No.
966

Notes:

1. Battery Positive Feeds must be fused
2. Unit must be connected to Battery Negative
3. Emergency Parallel Switch not supplied as part of OEM Product



TITLE	DRAWN	DIMENSIONS IN	ISSUE	DATE	AUTH	MODIFICATION DESCRIPTION
OEM SmartBank PRO Connections	MH/PS					
	DATE	SCALE				
CLIENT	04/04/2016					
	CHECKED	NOTES	White			

Merlin Equipment Ltd,
 Unit 4, Cabot Business
 Village, Holyrood Close,
 Cabot Lane, Poole,
 Dorset BH17 7BX

Tel: 01202 - 697979 Fax: 01202 - 691919
 www.merlinequipment.com

© 2011 Merlin Equipment Limited. This drawing remains the sole right and property of Merlin Equipment Limited. You may not make unauthorised copies or pass this information to third parties without the express written permission of Merlin Equipment Limited.

MERLIN
 The Power People

DRAWING No.
 967