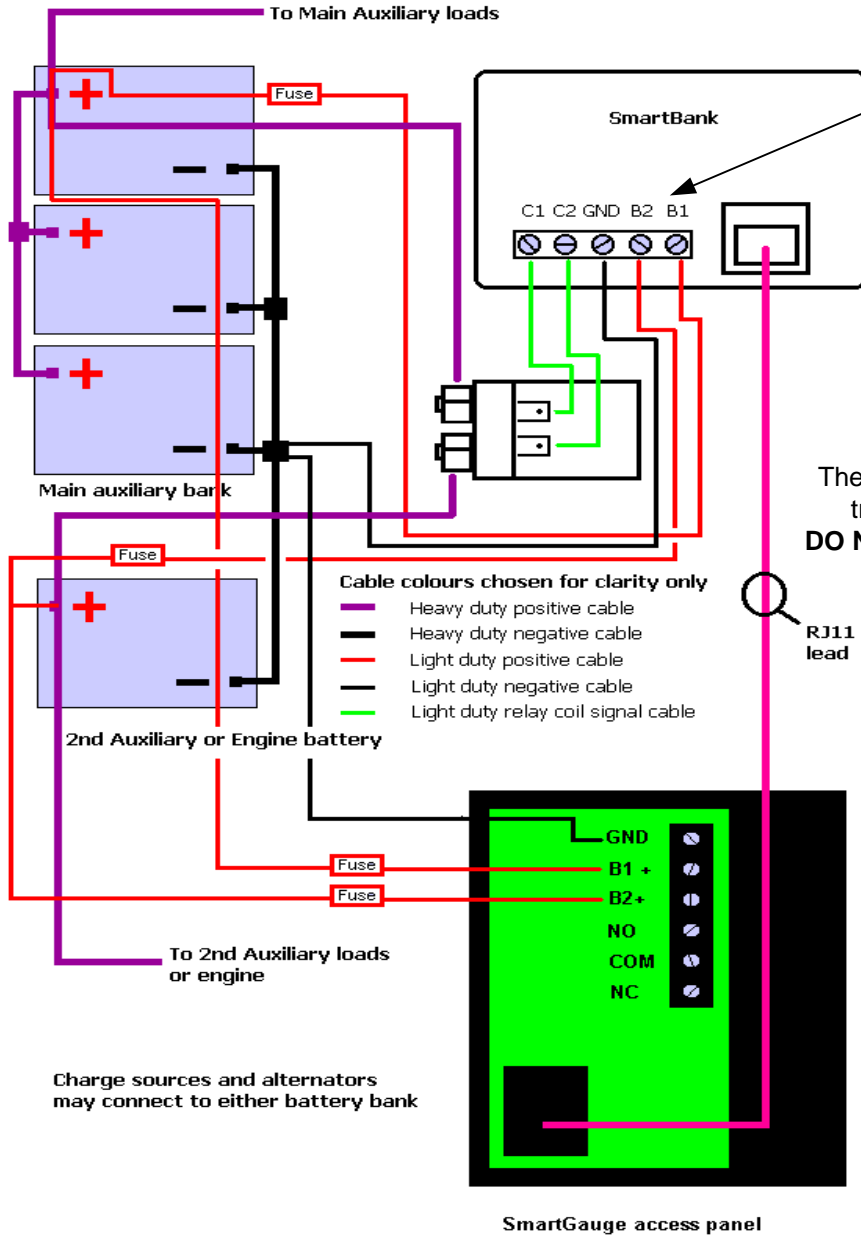


Smartbank Advanced Amendment to the Installation Manual



1 Please note that the markings on the PCB board and the drawing on page 19 do not match. Please connect as in fig 1

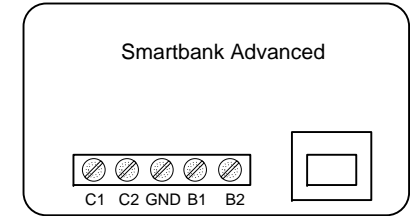


Fig 1

2 If you have a Smartbank Advanced 3 bank, then you will have 2 x Relays. Please connect as below.

The coil connections are not a true positive or negative. DO NOT short or put 12/24 volts on these terminals

