

PowerGuard^{Lite}

Flat Battery Protection

INSTALLATION & OWNERS MANUAL

MERLIN
POWER SYSTEMS

Part Numbers:
19-4015, 19-4016, 19-4017

Version 2.1

3.0 Package Contents

19-4015 Merlin PowerGuard Lite – 12V or
19-4016 Merlin PowerGuard Lite – 24V:

Merlin PowerGuard Lite Central Processing Unit (CPU)
Reset Switch with integrated warning LED
Battery Disconnect Contactor with bracket

19-4017 Merlin PowerGuard Lite – OEM Version (CPU Only):

Merlin PowerGuard Lite Central Processing Unit

4.0 Operation

The PowerGuard Lite is a flat battery protection device. When the battery voltage falls below reaches the preset voltage, the LED within the reset switch will flash to warn that the batteries are low. When the voltage has remained below been at the preset level for longer than the preset time, the contactor will disconnect the battery from the loads. At the same time, the LED within the reset switch will stay on continuously.

To reconnect power, press the reset switch. We highly recommend that the engine is started or that an alternative charging source is connected immediately.

Note: If the reset switch is pressed after disconnection and a charge source is not connected, the timer will start again and disconnect the batteries.

1.0 Introduction

Many thanks for your recent purchase of a Merlin PowerGuard Lite.

PowerGuard Lite is a flat battery protection device designed to prevent 12V and 24V battery banks running flat. Please note that the contactors used are specific to voltage so ensure that the part number ordered is correct for either 12V or 24V DC systems (The control unit may be used on 12V or 24V systems and is are adjusted using an internal link).

Please take the time to fully read and understand this manual.

Your attention is drawn to **CAUTION!** and **WARNING!** statements throughout this manual. **CAUTION!** relates to practices that may result in damage to the SmartBank PowerGuard Lite or your electrical system. **WARNING!** relates to practices that may result in injury or death.

WARNING! PowerGuard Lite is designed for installation by competent engineers. Competent Engineers know and understand work hazards, electrical hazards and safe working practices. Therefore, not all practices that may lead to injury or death are noted within this manual. If you are in anyway unsure about how to safely install this product, pay for a qualified electrical engineer to do it for you.

CAUTION: Continual pressing of the reset switch without attaching a charging source will eventually cause excessive discharge to the battery.

5.0 Inhibit Function

PowerGuard Lite is fitted with an Inhibit Function. When there is +12V/24V on this wire, the PowerGuard Lite will not disconnect the batteries regardless of battery condition. We normally recommend the Inhibit wire to be connected to the engine ignition switch.

CAUTION: Not fitting the inhibit wire to the ignition or other circuit that becomes live when the engine is running could cause damage to the engine alternator, ECU or other components if the battery is disconnected while the engine is running.

6.0 Bypass Loads

Loads that should stay live at all times (regardless of battery state of charge) should be wired direct from the battery and not through the PowerGuard Lite Contactor. This includes equipment such as gas alarms, automatic bilge pumps, engine management systems etc.

7.0 Installation Locations

The CPU is not waterproof. It is designed to be located in a dry environment such as a closed engine room, in a locker or under the dashboard.

2.0 Declaration of Conformity:

Company: Merlin Equipment Limited T/A Merlin Power Systems
Address: Unit 4, Cabot Business Village, Holyrood Close, Poole, Dorset
BH17 7BA. United Kingdom

Declares that the Merlin PowerGuard Lite

Part Numbers: 19-4015 Merlin PowerGuard Lite – 12V
19-4016 Merlin PowerGuard Lite – 24V
19-4017 OEM Version (CPU Only)

Are in conformity with the requirements of the following Directives of the European Union:

EMC Directive 2004/108/EEC

Standards to which conformity is declared:

EN55014-1:2007 EMC - Emission
EN55014-2:2008 EMC - Immunity
EN 61000-6-3:2007 EMC- Emission
EN 61000-6-1:2007 EMC- Immunity



Signed:

Authority: Managing Director

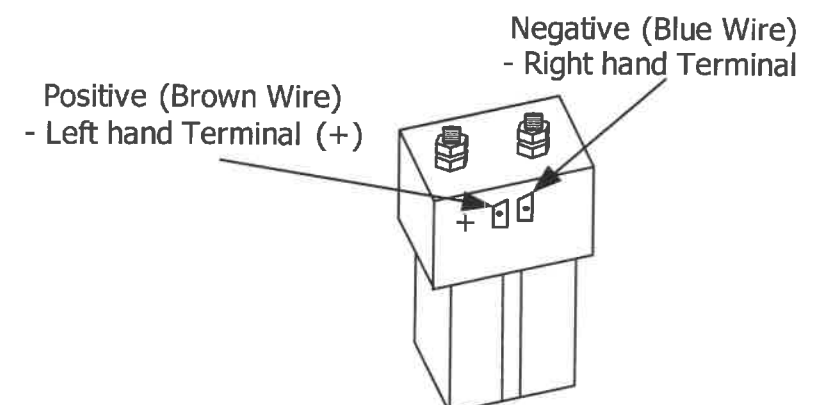
The contactor is IP66 rated and may be installed in wet environments.

The reset switch is IP66 rated and may be installed in wet environments.

CAUTION: Wet environments will damage the PowerGuard Lite CPU.

8.0 Contactor Wiring

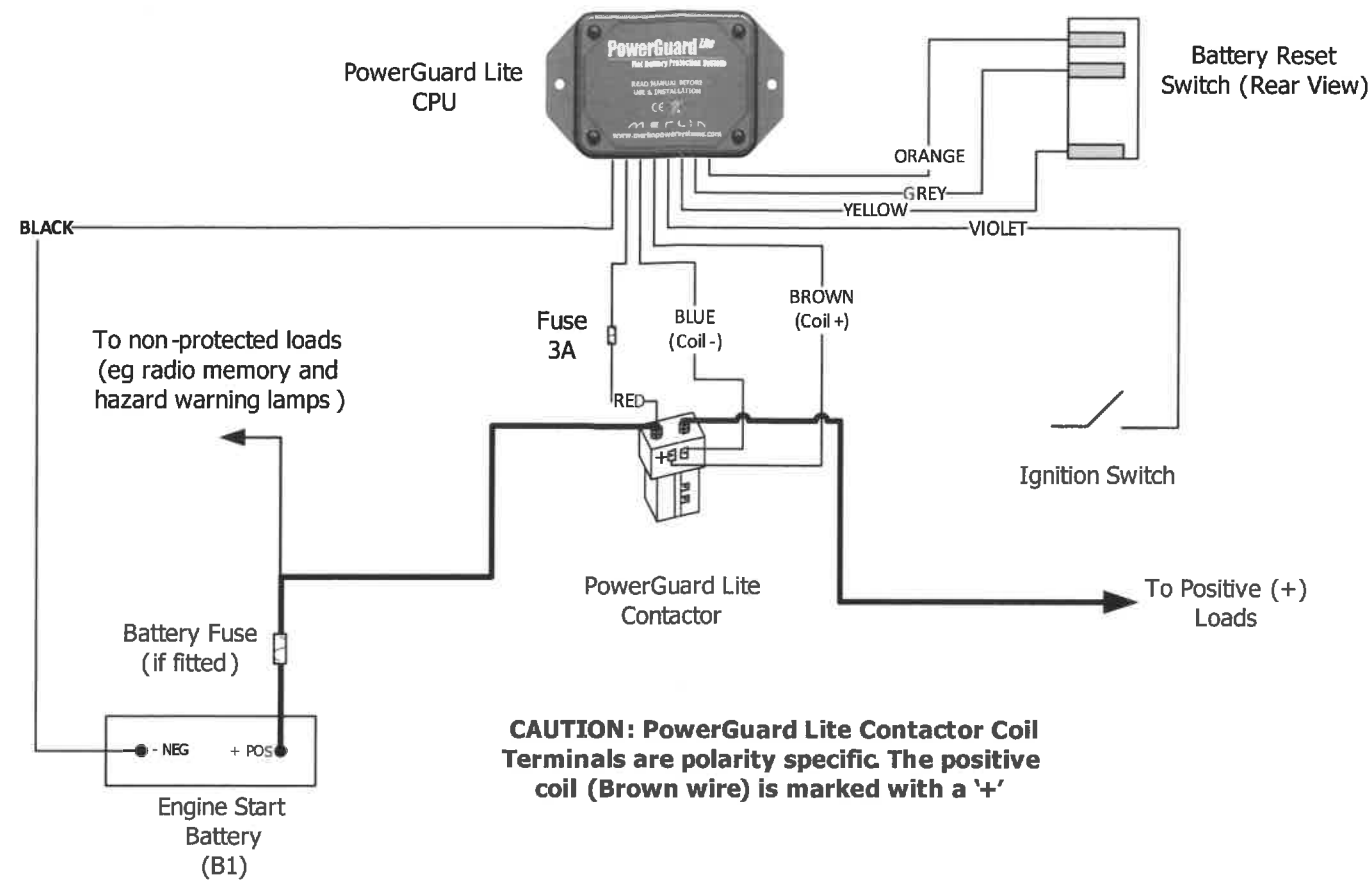
The contactor should be wired in the positive battery cable adjacent to the battery. To insert, we recommend removing the existing battery cable from the battery terminal and fitting this to one of the PowerGuard Lite Contactor main terminals. A linking cable from the other main contactor terminal should then be made up to the battery positive terminal. This cable should be the same size and specification as the existing cabling.



The contactor control terminals are located on the side of the contactor.

9.0 Installation Diagram:

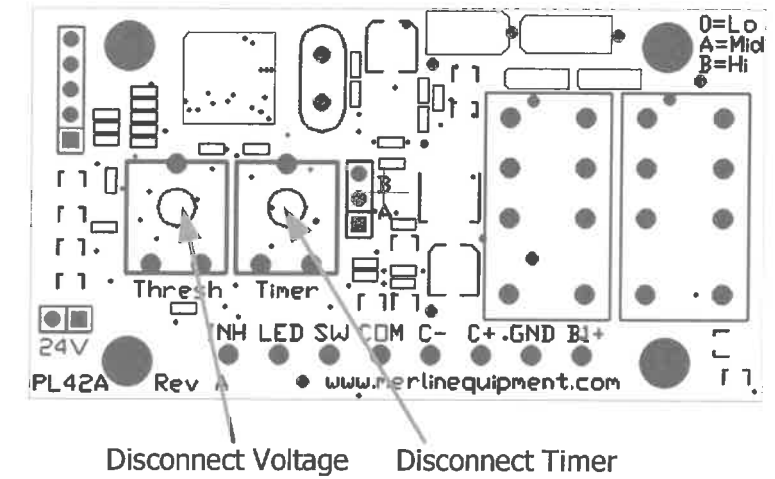
WARNING! Ensure that the engine cannot be started if working in it's vicinity. Ensure that the battery positive (+) is disconnected during installation. Reconnect the battery positive (+) once installation is complete.



10.0 Adjusting Settings

The battery cut out voltage threshold and timer are user/installer settable. To access, remove the four screws from the PowerGuard Lite CPU and remove the unit's cover. Within, you will see the Printed Circuit Board (PCB).

The PCB is fitted with two trim pots. The left hand one allows you to set the disconnect voltage, the right hand one allows you to adjust the timer.



The voltage adjustment has a range setting:

The threshold preset works in conjunction with 3 jumpers at the side of the timer preset. These have "A" and "B" marked alongside. The markings at the top right of the PCB are a reminder of their operation: With no jumper fitted, the preset adjusts between 10.0 and 11.0 volts (20 and 22.0V on

24V systems). With a jumper in position A, the preset adjusts between 11.0 and 12.0 volts (22 and 24V on 24V systems). With a jumper fitted in position B, the preset adjusts between 12.0 and 13.0 volts (24.0 and 26.0 volts on 24V systems).

The presets are linear so if you set it exactly halfway, the threshold will be exactly at XX.5 volts.

This means you can set the threshold voltage extremely accurately (to within 0.05 volts) from the position on the preset.

The timer adjustment range is: 0-240 seconds

11.0 12/24V Operation

PowerGuard Lite is shipped as a 12V or 24V kit. However, OEM versions may need adjusting to operate on 12 or 24V systems.

On the PCB, there is a link in the bottom left hand corner.

No Link: 12V Operation

Link in place: 24V Operation

CAUTION: Check that your PowerGuard Lite is set correctly for the system operating voltage. Using a PowerGuard Lite set for 12V on a 24V system, or vice versa, will cause damage and/or incorrect operation.

12.0 Force Reset Mode

If the reset switch is depressed and held for 4 seconds, the PowerGuard Lite will automatically reset and force close the relay. This is useful for installers when the relay is in the incorrect state when fitted.

13.0 Warranty

Merlin Equipment Limited T/a Merlin Power Systems warrants this product free from manufacturing defect for 2 years from the confirmed date of purchase.

Merlin Power Systems will repair or replace faulty product during this period at its sole discretion subject to the failure not being a result or caused by any of the following conditions: 1. Reverse polarity, connection to the incorrect voltage or reverse contactor polarity. 2. Damage caused by incorrect installation that may include (but is not limited to): Incorrect wiring, incorrect sized wiring, Ingress of water, salt, vapour, corrosive gases, diesel, petrol or other distillates of oil. 3. Physical damage/abuse. 4. Damage caused by third party equipment or systems, fire, flood, lightning and other atmospheric phenomena. This warranty expressly excludes all consequential costs including (but not limited to): Loss of use, loss of reputation, cost of installation/engineers time, cost of return freight, any banking charge etc.

To Claim Warranty please contact your Dealer. To return goods directly to Merlin, please click on the warranty tab on www.merlinequipment.com and follow on screen instructions. Merlin Equipment accepts no liability for goods returned without Returns Authorisation.

Merlin Equipment Ltd & Merlin Power Systems accepts no liability for loss, injury or damage caused by installing or fitting this equipment. If you do not accept this no liability cause, do not install the equipment. Installing it constitutes acceptance of these terms. Please ensure that the goods are suitable and appropriate for the installation. Full technical details, manuals and expert help is available from Merlin Power Systems.

Please note that this warranty, exceptions and terms do not infringe your statutory rights that may vary from country to country and state to state.

14.0 To Claim Warranty

First, please call the dealer where the unit was purchased. Alternatively, contact Merlin on +44 (0) 1202 697979 for technical support. The majority of problems can be diagnosed and rectified during a short phone call.

If the PowerGuard Lite requires warranty service, please log on to www.merlinequipment.com and click on Warranty on the top right hand corner.

IMPORTANT: Merlin Equipment does not accept nor accepts any responsibility for goods that are returned without following the on-line warranty procedures. The warranty procedure not only allows you to register and complete the necessary documentation but also allows you to check when warranty goods are received and their repair/replacement status.

Copyright 2013 Merlin Equipment Limited T/A Merlin Power Systems. All Rights Reserved. This publication or parts thereof may not be reproduced in any form, by any method, for any purpose. For conditions of use and permission to use this manual for publication in other than the English language, contact Merlin Equipment Limited. MERLIN EQUIPMENT LTD MAKES NO WARRANTY, EITHER EXPRESSED OR IMPLIED, INCLUDING BUT NOT LIMITED TO ANY IMPLIED WARRANTIES OF MERCHANTABILITY OR FITNESS FOR A PARTICULAR PURPOSE, REGARDING THESE MERLIN PRODUCTS AND MAKES SUCH MERLIN PRODUCTS AVAILABLE SOLELY ON AN "AS IS" BASIS. IN NO EVENT SHALL MERLIN EQUIPMENT LTD BE LIABLE TO ANYONE FOR SPECIAL, COLLATERAL, INCIDENTAL, OR CONSEQUENTIAL DAMAGES IN CONNECTION WITH OR ARISING OUT OF PURCHASE OR USE OF THESE MERLIN PRODUCTS. THE SOLE AND EXCLUSIVE LIABILITY TO MERLIN EQUIPMENT LTD., REGARDLESS OF THE FORM OF ACTION, SHALL NOT EXCEED THE PURCHASE PRICE OF THE MERLIN PRODUCTS DESCRIBED HERE IN. Merlin Equipment Limited reserves the right to revise and improve its products as it sees fit. This publication describes the state of this product at the time of its publication and may not reflect the product at all times in the future.

Installation of the product supplied with this manual constitutes full acceptance of these terms. If you do not agree to them, return the product, unused to Merlin Equipment Limited for a full refund.