

LiFOS - Leisure Lithium-Ion Battery



- 68Ah Lithium-Ion Battery; Equivalent to 120Ah Lead/Acid = half the space.
- 75% lighter than lead/acid technology.
- Built in BMS system—no complex rewiring required.
- Bluetooth connectivity with free LiFOS phone/tablet app.
- Compatible with most conventional charging systems



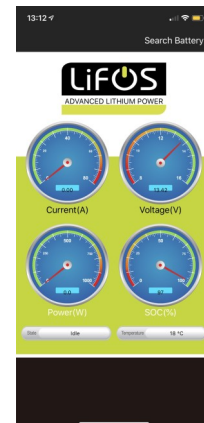
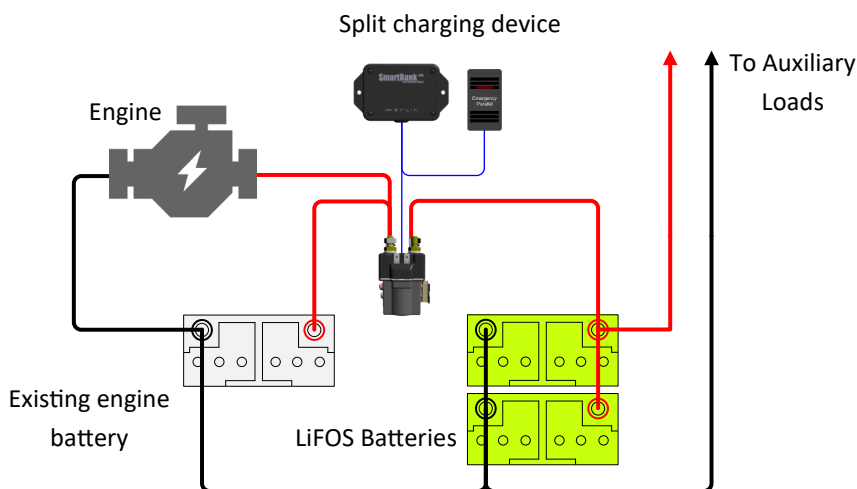
LiFOS is an advanced Lithium Ion Phosphate (LiFePO₄) battery designed to save space and weight in mobile power applications.

The 68Ah LiFOS can be cycled down to 90% State of Charge, meaning that this block offers similar capacity to a 120Ah Lead/Gel/AGM battery. At just 7.8Kg, it is around 75% lighter than conventional technologies.

Unlike other Lithium solutions, LiFOS includes a built in Battery Management System (BMS) that ensures safe use and charging of the battery. The battery prevents excessive discharge to ensure a cyclic life of around 2750 cycles at 90% DoD. A Bluetooth connection and free App allows you to view battery status on your Smart Phone or Tablet.

LiFOS is designed to be used as an auxiliary battery and can provide up to 80 amps discharge (1000 watts)). Up to 4 batteries can be parallel or series connected to provide up to 272Ah @ 12V or 136Ah @ 24V.

Note: Lithium-Ion is different to Lead/Acid battery technology and special consideration needs to be given to: Temperature, Surge Power Requirements, Disconnection of alternators while running, Shipping, Controlled environments (such use on vehicles using the Channel Tunnel) and protection against leaving batteries discharged for lengthy periods of time. A Merlin engineer will be pleased to talk through these issues with you to ensure a reliable and safe installation.



LiFOS - Leisure Lithium-Ion Battery

Specifications:

PART NUMBER	06-2100
CHEMISTRY	Lithium Iron Phosphate LiFePO₄
NOMINAL VOLTAGE	12V DC
NOMINAL CAPACITY	68Ah
MAXIMUM DEPTH OF DISCHARGE	61.2Ah / 90%
MAXIMUM DISCHARGE RATE	60 Amps (720 watts)
PEAK DISCHARGE RATE (<10SECS)	120 Amps (1440 watts)
MAXIMUM CHARGE RATE	40 Amps
OPERATING TEMPERATURE	0-60 Degrees Celcius
RECOMMENDED CHARGER (FROM MAINS)	Kisae 20/40A
	TBS OmniCharge 40A
RECOMMENDED CHARGER (DC-DC CHARGING)	Kisae 30
MAX NUMBER OF BATTERIES IN BANK (12 OR 24V)	4
DIMENSIONS (LxWxD)	258x175x190 mm
WEIGHT	7.8 kg
STANDARDS	CE MARKED

SYSTEM ADVICE

LiFOS is ideally suited to providing auxiliary electrical power in light duty leisure and commercial applications. Up to 4x LiFOS batteries can be connected in parallel or series-parallel for larger battery bank capacities and 24V applications.

We always recommend that a conventional lead/acid battery is used for engine starting and chassis loads. Charging of the auxiliary battery bank should be via either a Merlin SmartBank PRO split charging system or Kisae DC-DC Charging System. All charging systems must be set up for Lithium Ion Batteries and should be immune to damage from disconnection while charging. If charging from mains power, a lithium-ion battery charger, suitably rated for the size of battery bank and with battery temperature sensor must be used.

All specifications are provided in best possible faith but may be subject to change without notice. The Merlin Logo, slogan "The Power People", M-Power & SmartGauge are trade marks of Merlin Equipment Limited. All business is transacted according to our Standard Terms & Conditions, a copy of which is available upon request.

Merlin Equipment Limited, Clyst Court, Hill Barton Business Park, Exeter EX5 1SA, United Kingdom

T: +44 (0) 1202 697979 F: +44 (0) 1202 691919 W: www.merlinequipment.com