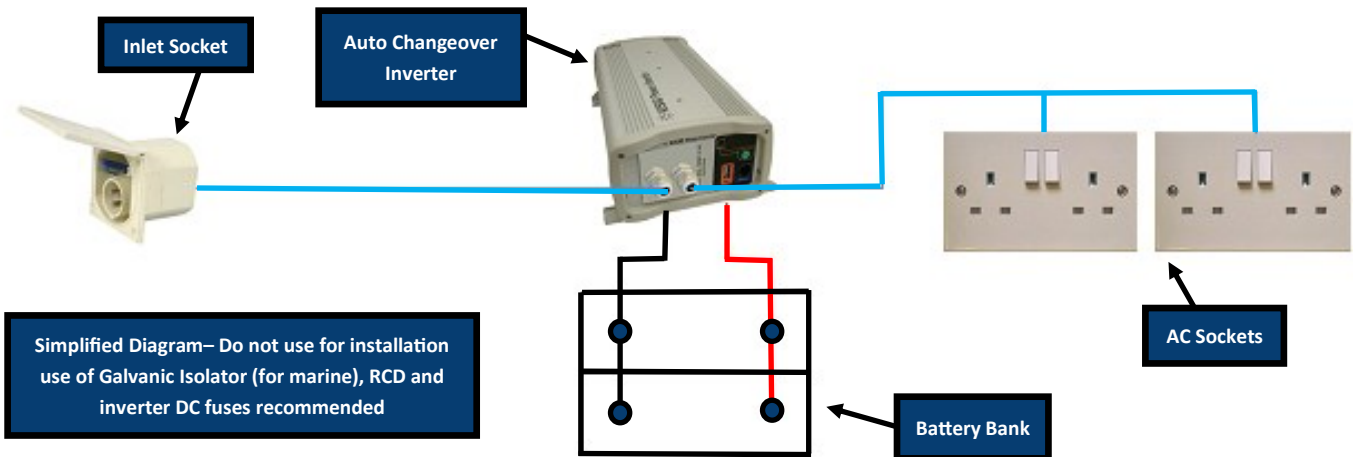


Auto Changeover 1000 - 2000w Inverter



If you wish to fit an inverter and also have shorepower, a method of selecting between them must be fitted. This can be a manual switch or remote transfer relay. Merlin Auto-Changeover Inverters already have the transfer relay built in. When shorepower is available, the relay will allow power to bypass the inverter and feed the on board ring main. As soon as shorepower is disconnected, the relay will allow inverter power to feed the ring main. It works in the same way as a UPS system.

Our auto-changeover Inverters are based on our standard 1000w and 2000w units. The transfer relay is rated at 30 amps for 230V AC electrical systems. All other specifications are identical to the 01-8035 and 01-8040 (1000 and 2000w)

The transfer relay is fast enough to ensure that the clocks on microwaves & radios stay active and don't reset. In most circumstances, the inverter transfer relay is also fast enough to allow the inverter to act as a UPS. Auto Changeover Inverters also feature a built in detachable remote panel.



- **Pure SineWave Output**
- **Available in 1000 or 2000W**
- **Built in automatic switching between shore power and inverter power**
- **Fast changeover time**
- **Overload, overheat and short-circuit protection**
- **Compact & lightweight**
- **Easy to install and use**
- **Remote Panels available**



All units carry e-mark certification for legal use aboard vehicles