

PowerSine PRO Inverters 2000W – 3500W (12V/24V)



E-Mark certification pending,
expected certification date May 1st 2019

Larger PowerSine PRO inverters feature additional programmable features to allow better integration into complex electrical systems. An alarm relay can be set-up to trigger external devices. A second configurable 16A relay is also fitted for enhanced system integration. Use of external windows based software is required for enhanced set-up.

PowerSine PRO are designed specifically for mission critical applications where lives and livelihoods depend on power.

Designed & manufactured in Europe, PowerSine PRO inverters are built with leading brand components to provide a superlative inverter that outperforms all others and last years in every-day applications. PowerSine PRO inverters are the only range to carry a full 3 year warranty extendable to 5 years.

PowerSine PRO utilises hybrid power conversion technology to provide significant benefits over low-cost, leisure style switch-mode inverters:

- Significantly improved reliability
- Ability to provide greater than their rated output for lengthier periods of time as well as deliver much higher surge currents
- Withstands inductive AC loads without inverter damage
- Highly resistant to AC Back-feed & AC Short-Circuit
- Ability to provide continuous high output in high ambient temps
- Robust industrial design
- High surge power output
- Programmable Automatic Standby function to reduce no-load power consumption
- 16A programmable alarm relay
- Easy to access connection bay for installing AC-DC and control wiring

Universal Remote Control

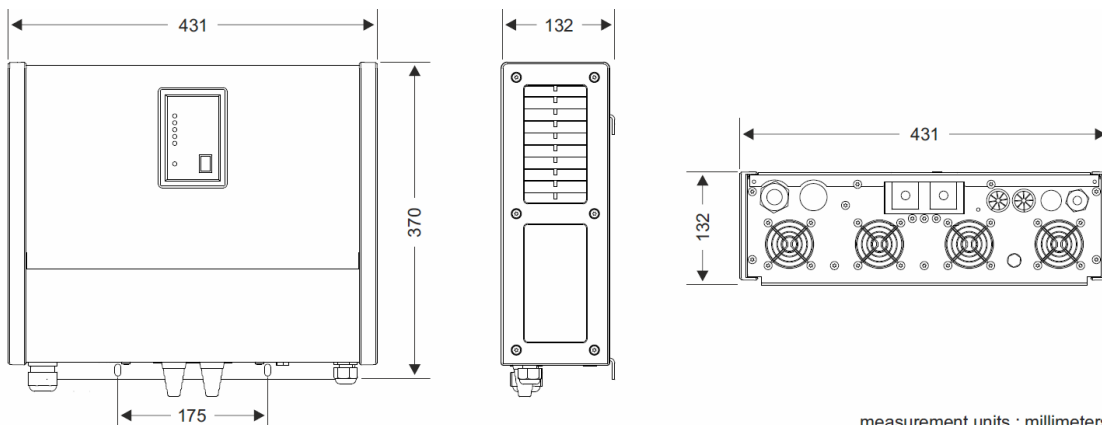


Basic Remote Control



PowerSine PRO Compact Inverters 2000W – 3500W (12V/24V)

PART #	30-1022	30-1026	30-1024	30-1028
PARAMETER	PS2000-12	PS3000-12	PS2500-24	PS3500-24
OUTPUT POWER PNOM	1800W	2600W	2000W	2800W
P10MINUTES	2100W	3200W	2500W	3800W
PSURGE	4000W	5000W	5500W	6500W
OUTPUT VOLTAGE	230Vac ± 2%			
OUTPUT FREQUENCY	50Hz or 60Hz ± 0.05%			
OUTPUT WAVEFORM	True sinewave (THD < 5%1) @ Pnom)			
ALLOWED COS φ OF LOAD	0.2 – 1 (up to Pnom)			
INPUT VOLTAGE (±3% TOLERANCE) : NOMINAL	12Vdc	12Vdc	24Vdc	24Vdc
RANGE	10.0 – 16.5Vdc	10.0 – 16.5Vdc	20.0 – 33.0Vdc	20.0 – 33.0Vdc
MAXIMUM EFFICIENCY	92%	92%	93%	93%
NO LOAD POWER CONSUMPTION [ASB]	<19W [2.0W]	<19W [2.0W]	<20W [2.0W]	<20W [2.0W]
ASB THRESHOLD	Pout=20W			
OPERATING TEMPERATURE (AMBIENT)	-20°C ... +50°C (humidity max. 95% non condensing)			
STORAGE TEMPERATURE RANGE	-40°C ... +80°C (humidity max. 95% non condensing)			
COOLING	Variable speed fan controlled by temperature and load			
TSB LINK ENABLED	Yes	Yes	Yes	Yes
PROTECTED AGAINST	Short circuit, overload, high temperature, AC back feed, high/low battery voltage and high input ripple voltage			
INDICATIONS	Power on, output power bar, error and ASB mode			
DC INPUT CONNECTIONS (CABLE LENGTH 1.5M)	M10 bolt terminals			
AC OUTPUT CONNECTIONS	Screw terminals			
ENCLOSED BODY SIZE	370 x 431 x 132mm			
TOTAL WEIGHT	18.2Kg	18.5Kg	18.2Kg	18.5Kg
PROTECTION CLASS	IP21 (mounted in upright position)			
STANDARDS	CE marked meeting EMC directive 2004/108/EC and LVD 2006/95/EC complying with EN60335-1, RoHS 2002/95/EC			



measurement units : millimeters